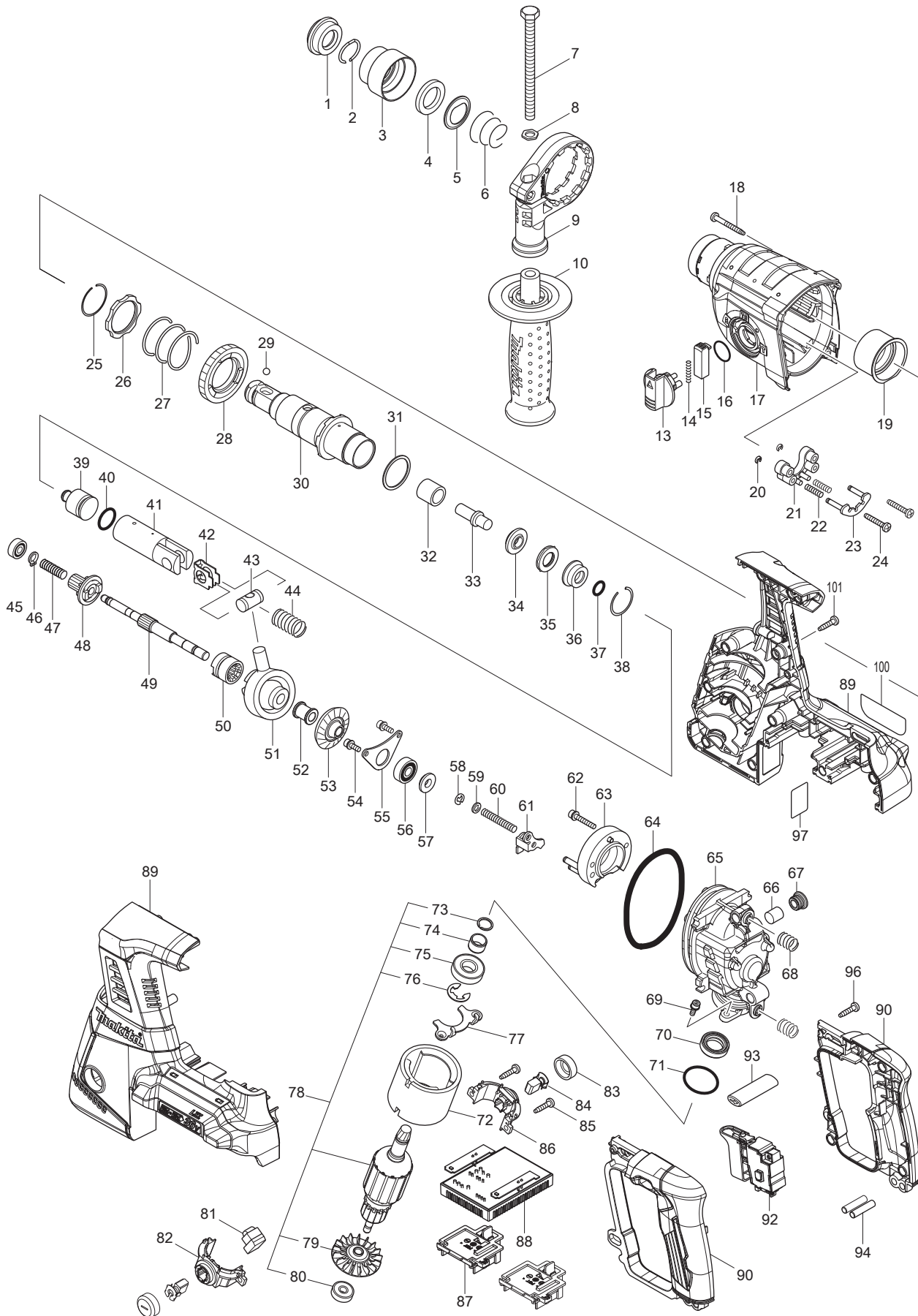




01 - 2014
DHR263PF2,DHR263Z
18V x 2 3-MODE ROTARY HAMMER



Item No	Type	Part No	Description	Qty	Unit
001		286263-4	CAP 35	1	PC.
002		233940-9	RING SPRING 19	1	PC.
003		417629-9	CHUCK COVER	1	PC.
004		257241-1	RING 21	1	PC.
005		345187-4	GUIDE WASHER	1	PC.
006		233916-6	CONICAL COMP. SPRING 21-29	1	PC.
007		921923-8	HEX. BOLT M8X120	1	PC.
008		345280-4	HEX. WASHER	1	PC.
009		417630-4	GRIP BASE	1	PC.
010		158057-6	GRIP 36 COMPLETE	1	PC.
013		450980-4	CHANGE LEVER	1	PC.
014		233279-0	COMPRESSION SPRING 4	1	PC.
015		453706-3	LOCK BUTTON	1	PC.
016		213278-8	O RING 17	1	PC.
017		158945-7	GEAR HOUSING COMPLETE	1	PC.
	INC.	213345-9	OIL SEAL 25	1	PC.
018		266560-4	TAPPING SCREW 4X40	4	PC.
019		153290-5	NEEDLE BEARING COMPLETE	1	PC.
020		961017-7	STOP RING E-3	2	PC.
021		417796-0	GUIDE BASE	1	PC.
022		233344-5	COMPRESSION SPRING 4	2	PC.
023		163430-7	LOCK PLATE COMPLETE	1	PC.
024		266374-1	TAPPING SCREW 4X25	2	PC.
025		233929-7	RING SPRING 29	1	PC.
026		267460-1	WASHER 31	1	PC.
027		233401-9	COMPRESSION SPRING 32	1	PC.
028		227109-5	SPUR GEAR 51	1	PC.
029		216022-2	STEEL BALL 7.0	1	PC.
030		158574-6	TOOL HOLDER COMPLETE	1	PC.
031		267229-3	FLAT WASHER 28	1	PC.
032		331769-8	SLEEVE 9	1	PC.
033		324669-9	IMPACT BOLT	1	PC.
034		324402-9	RING 10	1	PC.
035		421955-0	CUSHION RING 13	1	PC.
036		324216-6	O RING CASE	1	PC.
037		213073-6	O RING 9	1	PC.
038		233917-4	RING SPRING 28	1	PC.
039		326404-1	STRIKER	1	PC.
040		213227-5	O RING 16	1	PC.
041		318132-2	PISTON CYLINDER	1	PC.
042		346036-8	GUIDE PLATE	1	PC.
043		324215-8	PISTON JOINT	1	PC.
044		234098-7	COMPRESSION SPRING 14	1	PC.
045		211012-0	BALL BEARING 606ZZ	1	PC.
046		961003-8	RETAINING RING S-7	1	PC.
047		233343-7	COMPRESSION SPRING 7	1	PC.
048		227179-4	SPUR GEAR 10	1	PC.
049		325976-3	CAM SHAFT	1	PC.
050		331992-5	CLUTCH CAM	1	PC.
051		219014-0	SWASH BEARING 10	1	PC.
052		325640-6	SLEEVE 9	1	PC.
053		227549-7	SPIRAL BEVEL GEAR 26	1	PC.

Item No	Type	Part No	Description	Qty	Unit
054		266273-7	HEX. SOCKET HEAD BOLT M4X12	2	PC.
055		346038-4	BEARING RETAINER B	1	PC.
056		211032-4	BALL BEARING 608ZZ	1	PC.
057		324212-4	RING 8	1	PC.
058		961011-9	STOP RING E-4	1	PC.
059		941102-2	FLAT WASHER 5	1	PC.
060		233342-9	COMPRESSION SPRING 6	1	PC.
061		345220-2	CHANGE PLATE	1	PC.
062		922148-7	HEX. SOCKET HEAD BOLT M4X25	2	PC.
063		158944-9	INNER SUPPORT COMPLETE	1	PC.
064		213728-3	O-RING 68	1	PC.
065		318392-6	INNER HOUSING	1	PC.
066		443143-9	FILTER	1	PC.
067		424185-2	CAP	1	PC.
068		234097-9	COMPRESSION SPRING 10	2	PC.
069		266273-7	HEX. SOCKET HEAD BOLT M4X12	2	PC.
070		213231-4	OIL SEAL 15	1	PC.
071		213437-4	O RING 28	1	PC.
072		632828-4	YOKE UNIT	1	PC.
073		961082-6	RETAINING RING WR12	1	PC.
074		331596-3	SLEEVE 12	1	PC.
075		211131-2	BALL BEARING 6001DDW	1	PC.
076		961016-9	STOP RING E-10	1	PC.
077		346037-6	BEARING RETAINER A	1	PC.
078		519235-7	ARMATURE ASS'Y 36V	1	PC.
	INC.		Item No. 73-76,79,80		
079		240037-7	FAN 44	1	PC.
080		210022-4	BALL BEARING 626DDW	1	PC.
081		620281-6	LIGHT CIRCUIT	1	PC.
082		644507-2	BRUSH HOLDER	1	PC.
083		643829-7	HOLDER CAP	2	PC.
084		195023-2	CARBON BRUSH CB-442 2PC/SET (W/ ORIGIN)	1	SET
085		266326-2	TAPPING SCREW 4X18	2	PC.
086		644508-0	BRUSH HOLDER	1	PC.
087		644808-8	TERMINAL	2	PC.
088		620280-8	CONTROLLER	1	PC.
089		187834-9	HOUSING SET	1	SET
	INC.	263005-3	RUBBER PIN 6	8	PC.
	INC.	263025-7	RUBBER PIN 4	4	PC.
	INC.	346783-1	PLATE	4	PC.
	INC.	803F15-0	INDICATION LABEL	1	PC.
	INC.	803F13-4	CAUTION LABEL	1	PC.
090		187771-7	HANDLE SET	1	SET
092		650721-0	SWITCH	1	PC.
093		454980-6	F/R CHANGE LEVER	1	PC.
094		256261-2	PIN 6	2	PC.
096		266326-2	TAPPING SCREW 4X18	4	PC.
097		815K28-9	DHR263 SERIAL NO. LABEL	1	PC.
100		815K11-6	NAME PLATE F/DHR263	1	PC.
101		266326-2	TAPPING SCREW 4X18	10	PC.
102		803F14-2	CLEAR LABEL	1	PC.
103		893072-0	CLEAR LABEL	1	PC.

Item No	Type	Part No	Description	Qty	Unit
D01		652045-0	(+) PAN HEAD SCREW M3.5X5	2	PC.
D02		654510-5	INSULATED CONNECTOR 5.5-SD	2	PC.
D03		654037-5	INSULATED TERM. FT1.25-M3	2	PC.
<u>ACCESSORIES</u>		- See Catalogue or visit www.makita.ca for more accessories -			
A01		194683-7	GREASE VESSEL SET(F/BIT)	1	PC.
A02		324219-0	DEPTH GAUGE	1	PC.
A03		443122-7	CLOTH	1	PC.
A04		142551-8	PLASTIC CARRYING CASE	1	PC.
A04		831278-2	LXT TOOL BAG, BLUE	1	PC.
A04B		197213-3	INTERLOCKING CASE XL (TYPE 4)	1	PC.
	INC.	453974-8	LATCH	4	PC.
A07B		837988-9	INNER TRAY F/ INTERLOCKING CASE XL	1	PC.
A08		122823-7	1/2" KEYLESS DRILL CHUCK ATTACHMENT, SDS-PLUS	1	PC.
		122574-2	1/2" DRILL CHUCK ATTACHMENT, SDS-PLUS	1	PC.
A09		191686-2	SAFETY GOGGLE	1	PC.
A10	2	A-34235	HOSE COM. 28-1.5M SET W/FRONT CUFFS 22, 38	1	PC.
A11		192349-3	JOINT 25	1	PC.
A12	2	P-80015	DUST EXTRACTOR ATTACHMENT	1	PC.
A13		194582-3	GRIP BASE SET	1	PC.
	INC.	122809-1	SPACER 20 ASSY	1	PC.
	INC.	419975-6	GRIP BASE 20	1	PC.
	INC.	921919-9	HEX BOLT M8X10	1	PC.
A14		188088-1	HAMMER GREASE 30G	1	PC.
A15		421342-3	DUST CUP 5	1	PC.
A16		421664-1	DUST CUP 9	1	PC.
A17		421755-8	WATERPROOF COVER	1	PC.
A19		763432-9	CHUCK KEY S13	1	PC.
A20		765009-6	BLOW-OUT BULB 64	1	PC.
A21		198362-9	DUSTCUP SET	1	PC.
A22		195189-8	HAMMER SERVICE KIT	1	PC.
	INC.	195023-2	CARBON BRUSH CB-442 2PC/SET (W/ ORIGIN)	1	SET
	INC.	195127-0	MAKITA GREASE RB NO.00 30G	2	PC.
	INC.	213073-6	O RING 9	1	PC.
	INC.	213227-5	O RING 16	1	PC.
	INC.	216022-2	STEEL BALL 7.0	1	PC.
	INC.	233917-4	RING SPRING 28	1	PC.
	INC.	286263-4	CAP 35	1	PC.
	INC.	421955-0	CUSHION RING 13	1	PC.
A23		D-14093	CHUCK ADAPTER (SDS-PLUS)	1	PC.
A25		-----	BATTERY CHARGER		
A26		-----	18V LI-ION BATTERY		
A27		-----	LI-ION BATTERY ACCESSORIES		